

Catalog.

ROOF ACCESS HATCHES

bronteattic.my / bronteattic.sg / thaibronteattic.com

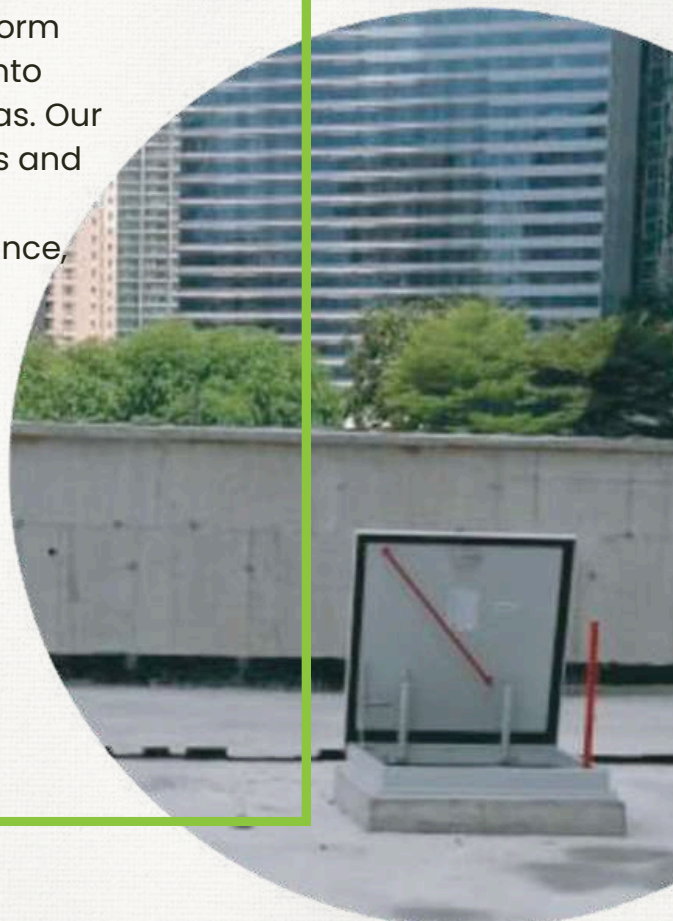




Welcome!

Established in 2008, **Bronte Attic (M) Sdn Bhd** is the pioneering company in ASEAN specializing in the distribution of attic and roof access modular bathroom solutions. Headquartered in Malaysia, with regional branches in Singapore (**Bronte Attic Marketing**) and Thailand (**Bronte Attic Thailand Co., Ltd.**), we are proud to be the first to introduce and lead this niche market across the region.

With over 15 years of expertise, Bronte Attic has built a strong reputation for innovative, space-saving solutions that transform underutilized attic spaces into functional, stylish living areas. Our modular bathroom systems and roof access products are designed for high performance, aesthetics, and ease of installation—making them ideal for residential, commercial, and hospitality projects.





Welcome!

We have successfully completed numerous projects in Malaysia, Singapore, and Thailand, and our extensive portfolio includes a wide range of **attic conversions** and **rooftop installations**. Our experience and commitment to quality make us a trusted partner for architects, builders, and homeowners seeking modern attic solutions.

Bronte Attic continues to lead the way in redefining how attic spaces can be utilized, offering unmatched product knowledge, installation expertise, and customer service. As we expand across **ASEAN**, we remain dedicated to providing innovative products that meet the evolving demands of urban living, sustainability, and space optimization.

Whether you're planning a compact urban renovation or a large-scale development, Bronte Attic delivers proven solutions that add value and versatility to any property.



UNIVERSAL ROOF HATCH SAC 0606

SAC 0606 Stainless Steel Universal Roof Hatches are designed to provide convenient, economical access to the roof of a building. The hatch cover opens easily and remains open safely during use. Ideal controlled access to roof areas for access to plant/equipment on multi-level buildings, incorporating ceiling ladder and ceiling hatch or access ladder with extendable stiles. Besides all exposed body & curb frames are constructed with stainless steel 201 materials. Other parts including nuts, washers, bolts, and rivets also add durability and corrosion resistance.

Thickness Lid : 2.0mm
Base Frame : 1.5mm

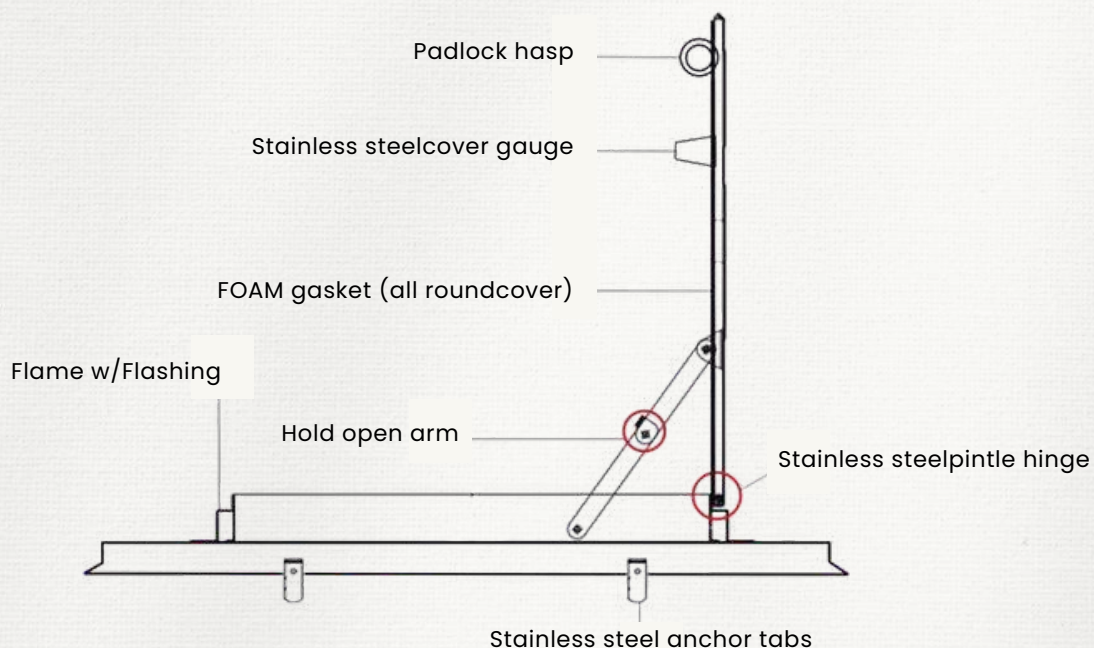
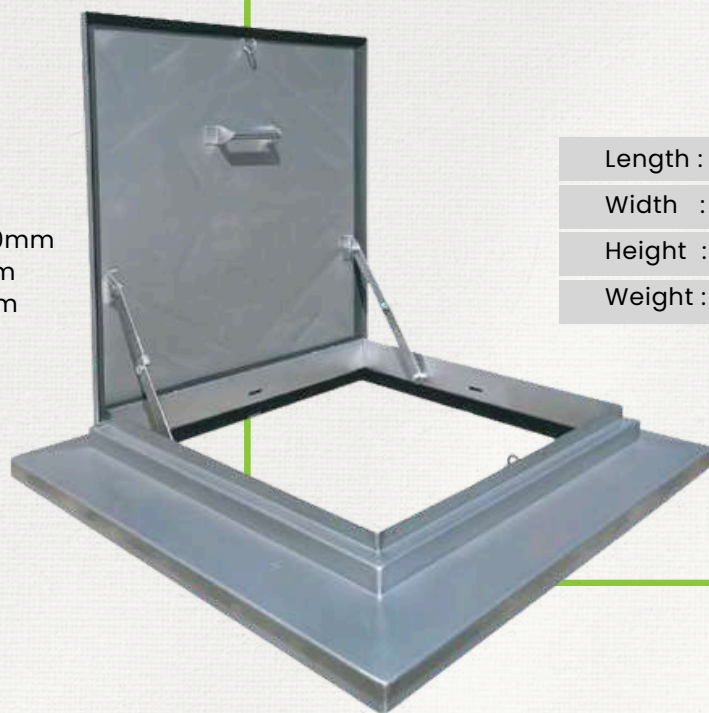
Concrete upstand
requirement Height : min 100mm
Internal frame : 600 x 600mm
External frame : 800 x 800mm

Length : 830mm

Width : 830mm

Height : 115mm

Weight : 22kg



SAC - Simple, Safe, Cost-Effective

Due to its simple design, this model is able to supply in larger quantities in shorter period. Currently, we have supplied for residential housing projects. Coming soon, they will be available for link factories, shop lots, schools, etc. Our roof hatch designs have registered design COPYRIGHT. We are seeking opportunities to export overseas also.



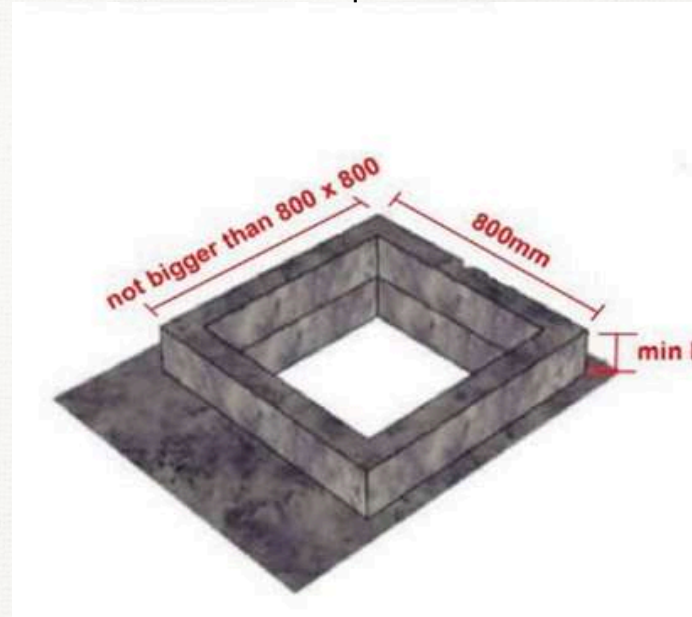
Characteristic

- Universal standard design and size
- Internal opening standard clearance 600x600mm
- Stainless steel construction without insulated lid and frame
- Stainless steel parts and hinges
- FOAM gasket (all round cover)
- Precast re-inforced indent printed hatch door lid

SAC 0606 | Waterproof concrete kickers requirement

Benefits

- Inexpensive
- Easy installation
- Watertightness
- Burglary resistant
- Padlock hasp provided to enhance security
- Hold open stay against accidental closure



Singapore Building

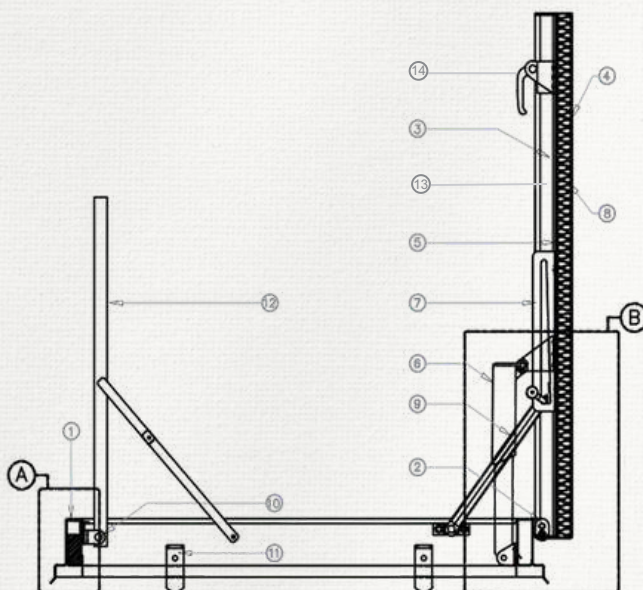


PROJECT SAC 0606



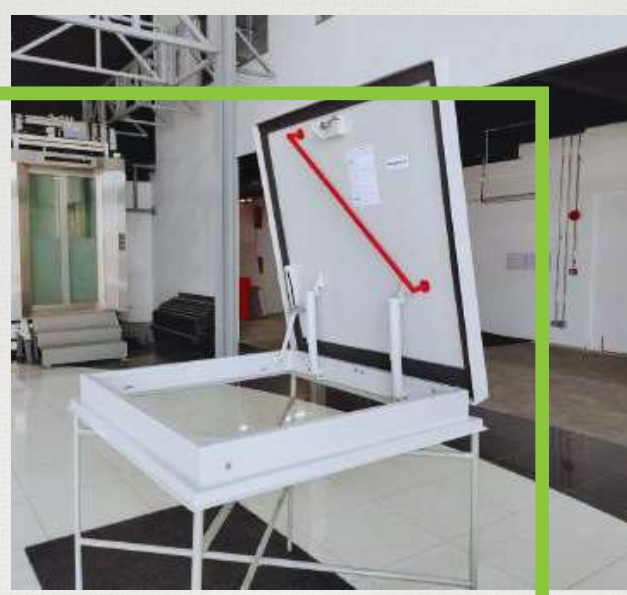
Gamuda Cove

ALUMINIUM ROOF HATCH 1010

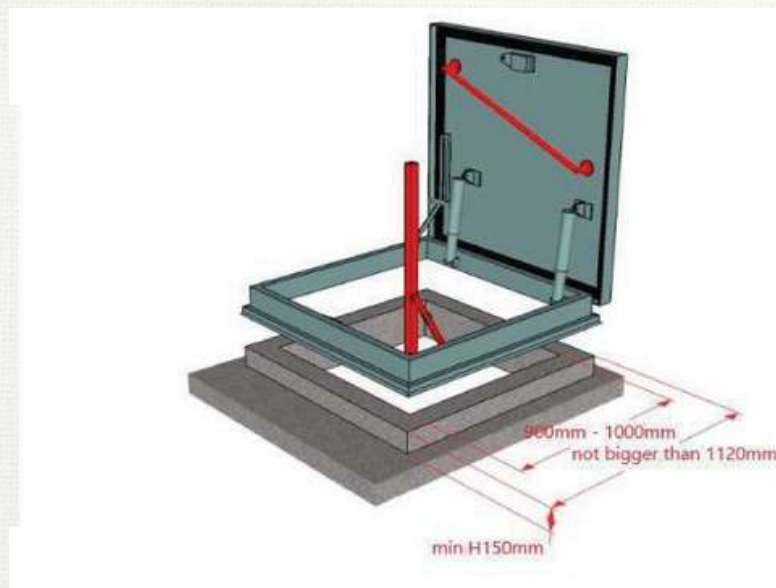


Specifications:

1. Aluminium flame w/flashing
2. Stainless steel pintle hinge
3. 15 x 50mm EDPM gasket (all round cover)
4. Aluminium cover gauge
5. Aluminium cover liner
6. Lifting mechanism with metal tubes & compression springs
7. Arm guide bracket
8. 25mm thick fiberglass cover insulation
9. Hold open arm w/metal grip
10. Lock strike & padlock
11. Stainless steel anchor tabs
12. Ms Foldable Holding Post (L=760mm)
13. Ms Handrail
14. Slam Latch



PROJECT RHA 1010



RHA 1mX1m | Waterproof concrete kickers requirement

PROJECT RHA 1010

REFERENCE SIZE 1mX 1m



Roof hatch combined with attic ladder



ALUMINIUM ROOF HATCH 0816

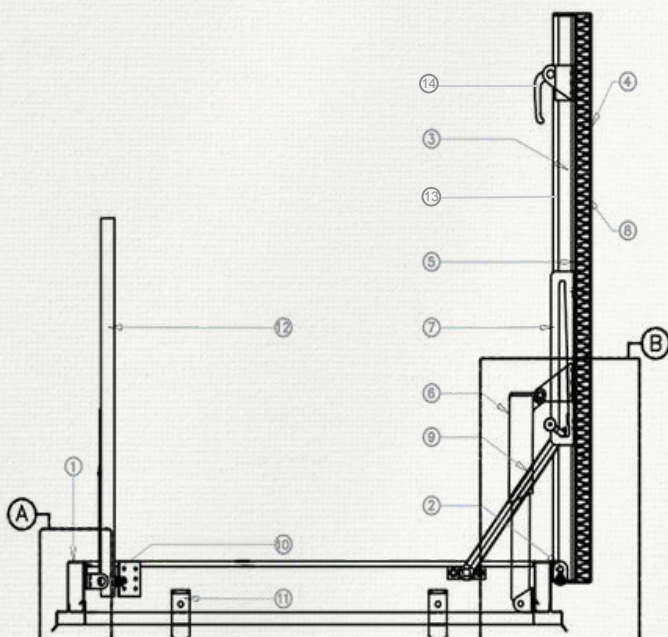


Length : 1170mm

Width : 970mm

Height : 260mm

Weight : 66kg



Specifications:

1. Aluminium flame w/flashing
2. Stainless steel pintle hinge
3. 15 x 50mm EDPM gasket (all round cover)
4. Aluminium cover gauge
5. Aluminium cover liner
6. Lifting mechanism with metal tubes & compression springs
7. Arm guide bracket
8. 25mm thick fiberglass cover insulation
9. Hold open arm w/metal grip
10. Lock strike & padlock
11. Stainless steel anchor tabs
12. Ms foldable holding post(L=760mm)
13. Ms Handrail
14. Slam Latch

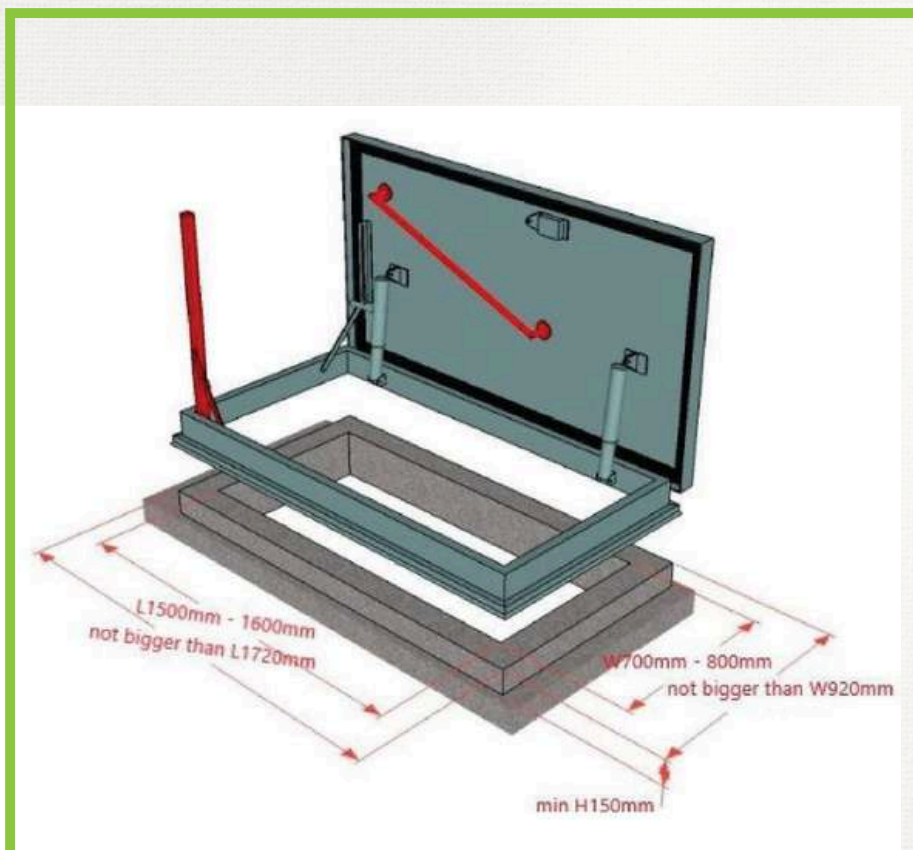
RHA - light weight aluminium

Features

- Aluminium construction
- Metal handrail support and hand post to assist entry and exist
- Polyester powder coated
- Fully insulated cover and EPDM rubber gasket surrounded
- Ease of installation
- Lift assistance for smooth, easy, one-hand operation
- Corrosion resistant hardware
Eliminate condensation on hatch cover (New)
- Available in a variety of standard sizes

Benefits

- Heat and sound resistance Light weight
- Maintenance free Corrosion free
- Ease of operation regardless size of weight Burglary resistance with built in slam latch and padlock hasps
- Watertightness
- Safe access to roof top with option to combine access with attic ladder/stair
- Suitable for coastal environments





PROJECT RHA 0816

Roof hatch combined with attic ladder



ALUMINIUM ROOF HATCH 0606

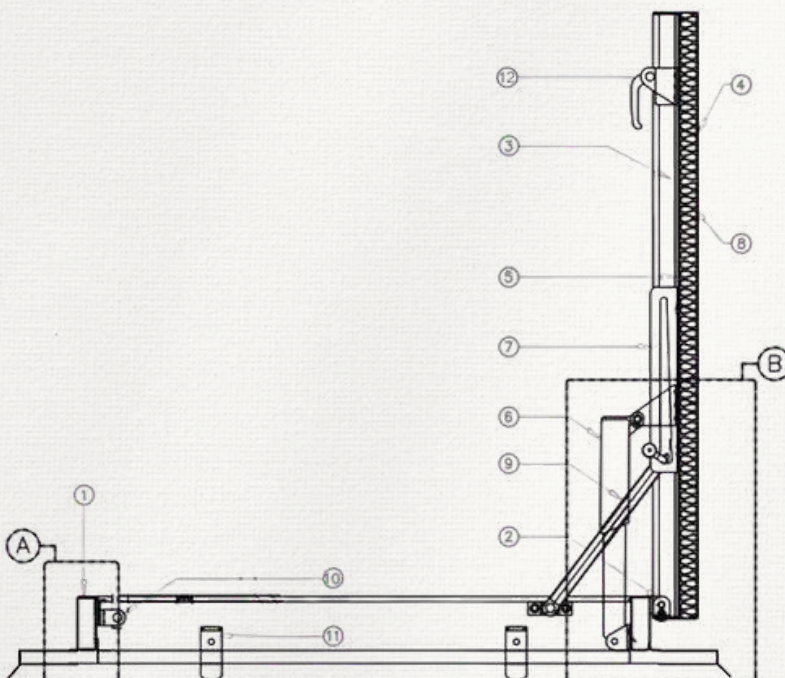


Length : 845mm

Width : 845mm

Height : 205mm

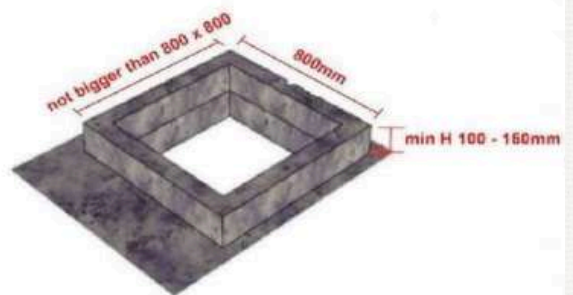
Weight : 19kg



Specifications:

1. Aluminium frame w/flashing
2. Stainless steel pintle hinge
3. 15 x 50mm EDPM gasket (all round cover)
4. Aluminium cover gauge
5. Aluminium cover liner
6. Lifting mechanism with metal tubes & compression springs
7. Arm guide bracket
8. 25mm thick fiberglass cover insulation
9. Hold open arm w/metal grip
10. Lock strike & padlock hasp
11. Stainless steel anchor tabs (Qty & Location varies w/size)
12. Slam latch

PROJECT RHA 0606



RHA 0606 | Waterproof concrete kickers requirement

ALUMINIUM ROOF HATCH 1212

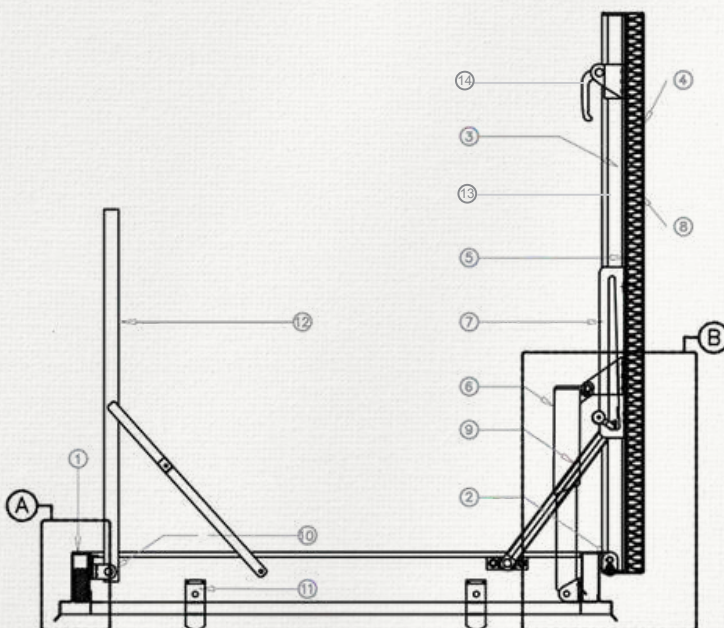


Length : 1360mm

Width : 1360mm

Height : 260mm

Weight : 46kg



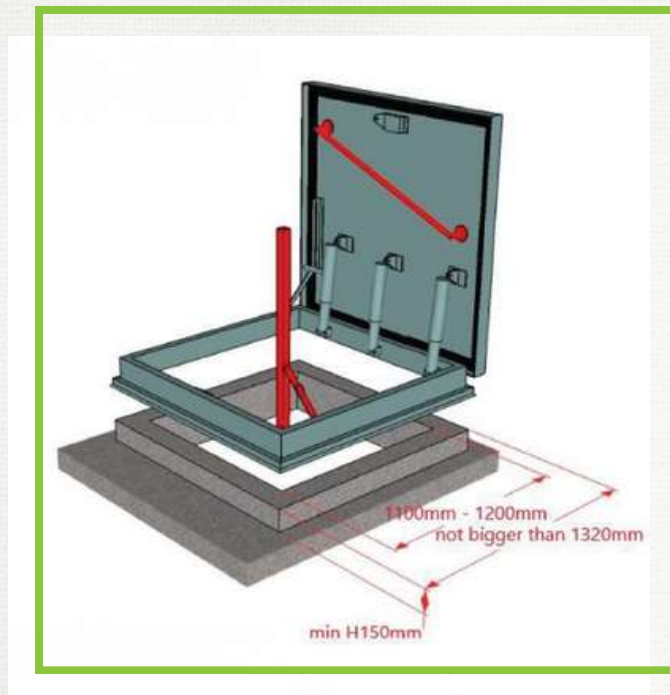
Specifications:

1. Aluminium flame w/flashing
2. Stainless steel pintle hinge
3. 15 x 50mm EDPM gasket (all round cover)
4. Aluminium cover gauge
5. Aluminium cover liner
6. Lifting mechanism with metal tubes & compression springs
7. Arm guide bracket
8. 25mm thick fiberglass cover insulation
9. Hold open arm w/metal grip
10. Lock strike & padlock hasp
11. Stainless steel anchor tabs (Qty & Location varies w/size)
12. Ms foldable holding post (L=760mm)
13. Ms handrail
14. Slam latch



REFERENCES PICTURE

PROJECT RHA 1212

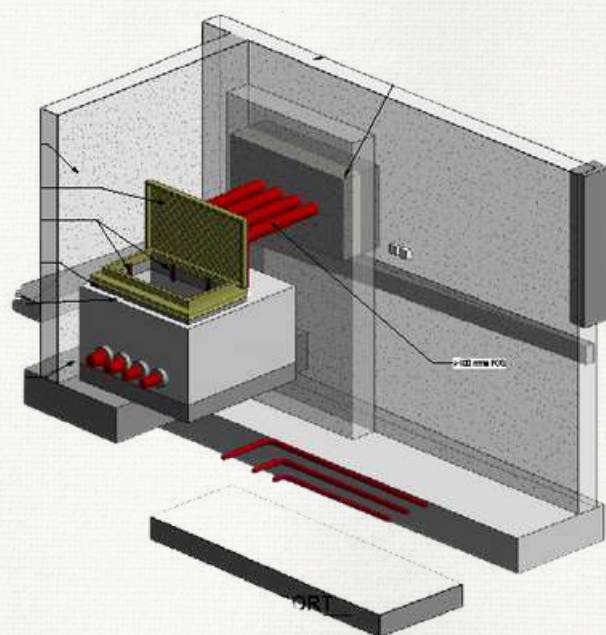
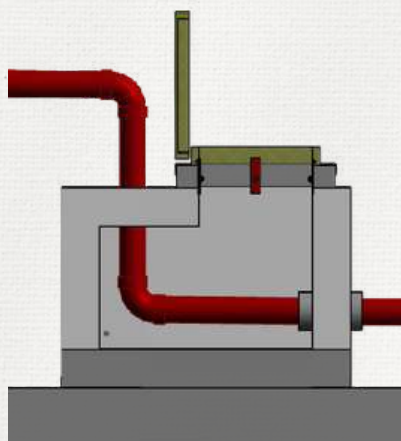


RHA 1212 | Waterproof concrete kickers requirement



Custom made service hatch
for Rooftop at the

Data Center (DOGHOUSES)

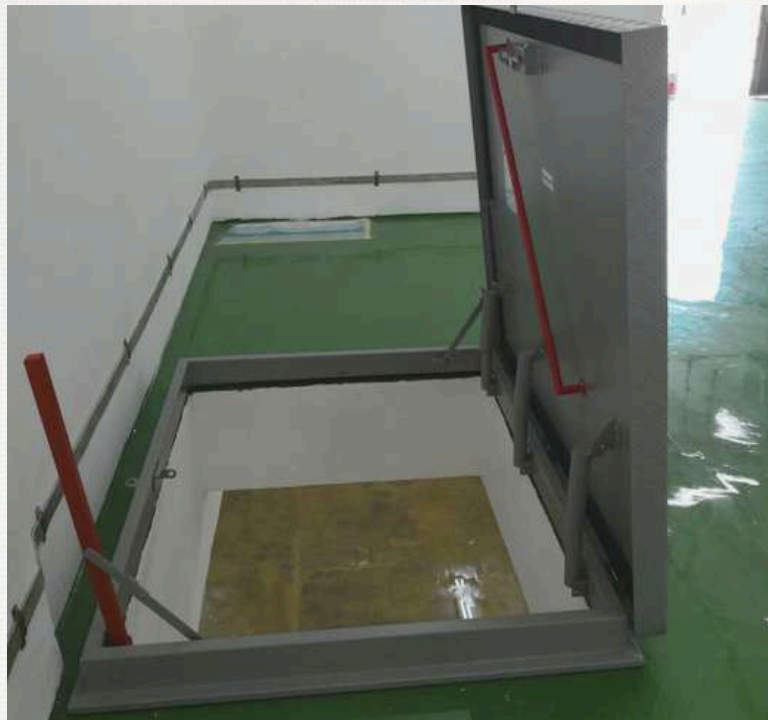


UPGRADING OPTIONS

CUSTOM MADE HATCH COVER



3mm steel or aluminium checkered plate panel hatch cover

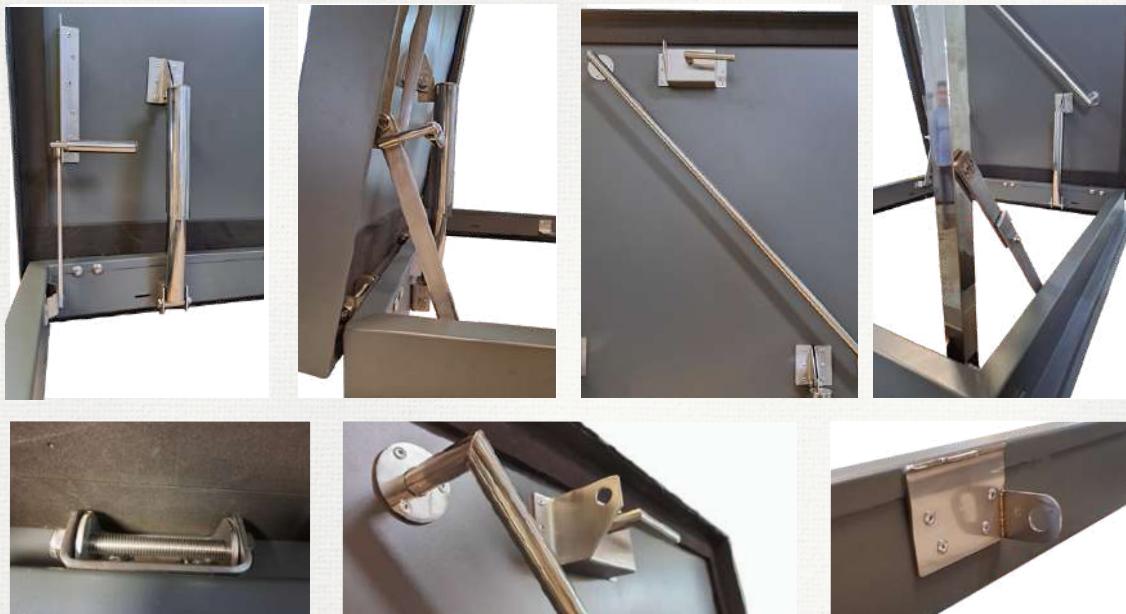




UPGRADING OPTIONS

CUSTOM MADE STAINLESS STEEL ACCESORIES

Stainless Steel 304 Hardware and accessories which consist of handrail, retractable hand post, telescopic spring casing tubes, hold open arm guides and grip, slam latch casing, padlock hasp, screws, and heavy duty pintle hinges.



We recommend stainless steel hardware for installation in highly corrosive or humid environment such as beach side, HVAC room, offshore, gas platform, highland buildings.

ROOF MEMBRANCE L2




A Breathable Roof Membrane

Technical parameters	L2
basic weight (g/m)	90
number of layers	3
vapour permeability (g/m ² /24h)	3100 g/m ² /24h 38 c/85%RH Lyssy
vapour permeability coefficient Sd (m)	0.008
water penetration resistance class before and after artificial ageing	CLASS W1
resistance to tearing lengthwise (N/5cm)	190
crosswise (N/5cm)	110
application temperature range (c)	from -40 to + 120
UV radiation resistance (month)	3
material	polypropylene
flammability class	E
packing (roll/pallet)	36
roll dimensions (m)	1.5 X 50
possibility of use on full boarding	no
warranty	5 years


to eliminate condensation issue by add in fakro underlay membrane L2






BRONTE ATTIC (M) SDN BHD (834754-M)

 Lot 2927, Jalan 9, Taman Kuchai, Batu 6 1/4,
Jalan Puchong, 58200 Kuala Lumpur, Malaysia.

 bronteattic@gmail.com

 +6012 - 392 8447

 bronteattic.my

 /Bronte-Attic  /Bronte_Attic  /@BronteAttic_My



Visit Us




Whatsapp Us




Follow Us



BRONTE ATTIC MARKETING (53186784J)

 No. 25, Chai Chee Road, #07-481,
Singapore 460025

 salesbronteattic@gmail.com

 +6012 - 392 8447

 bronteattic.sg

 /Loft Singapore  /Bronte_Attic  /@BronteAttic_My



Visit Us




Whatsapp Us





Follow Us




BRONTE ATTIC (THAILAND) CO., LTD (0845568011942)

 38/53 Mahathai Road, Amphoe Phunphin,
Surat Thani 84130 Thailand.

 salesbronteattic@gmail.com

 +6012 - 392 8447 / +66 81145 0991

 thaibronteattic.com

 /Thai Attic Store  /Bronte_Attic  /@BronteAttic_My



Visit Us



Whatsapp Us



Line Us